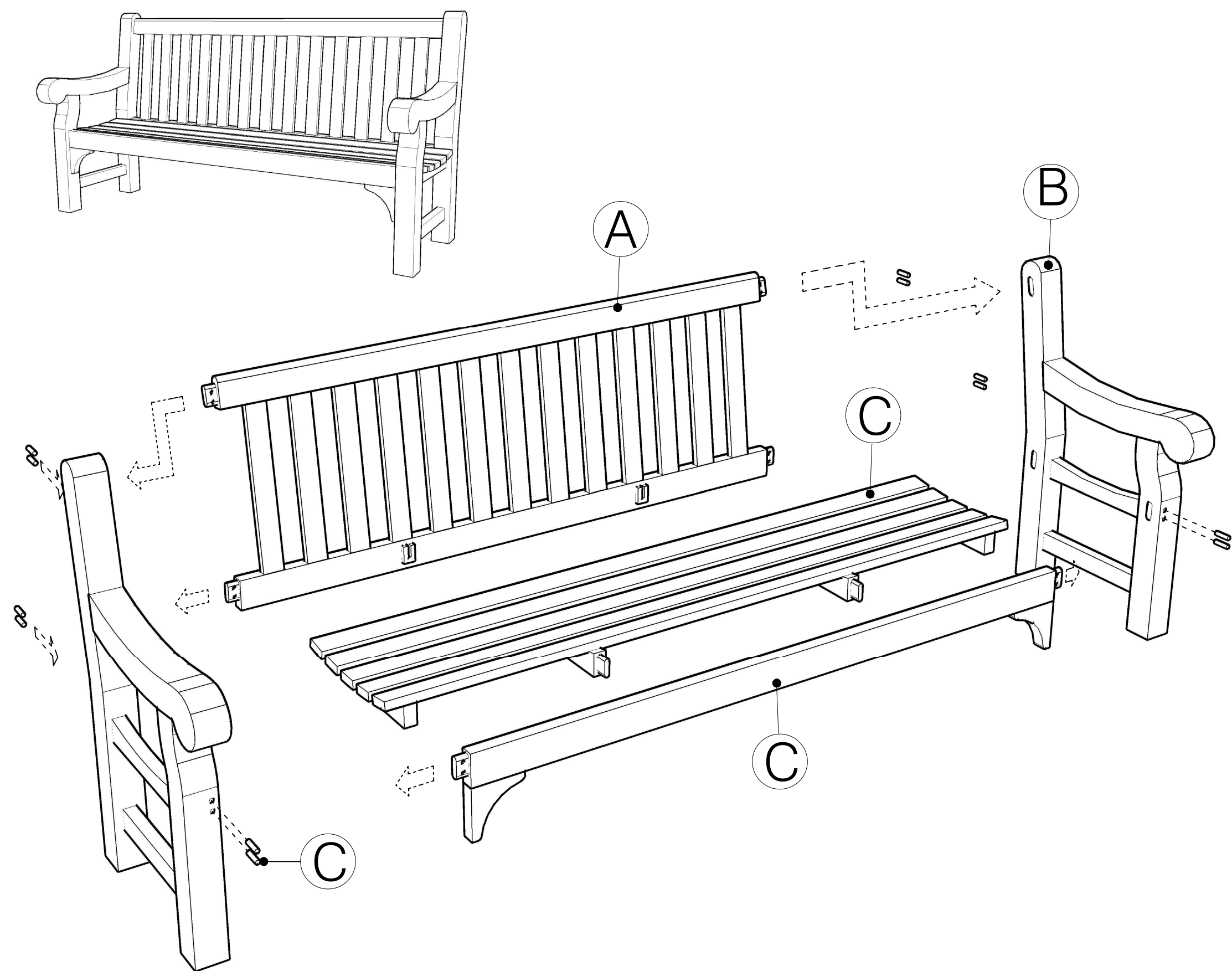
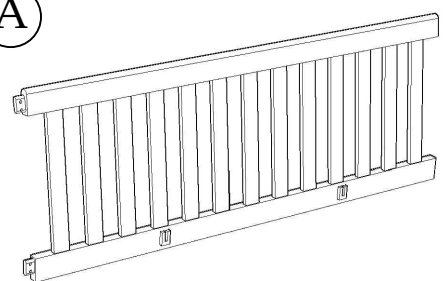
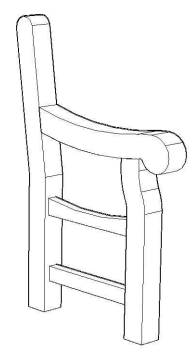
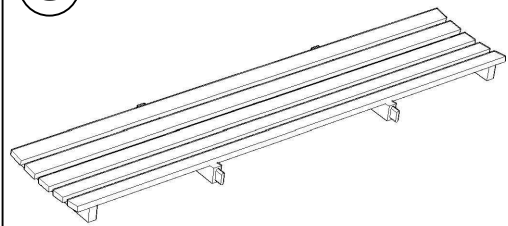
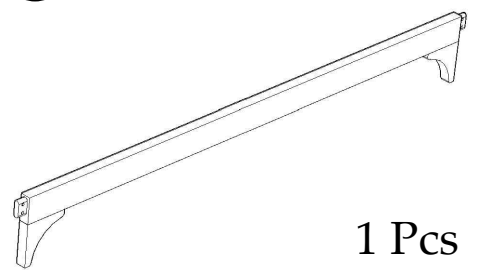



# ASSEMBLY INSTRUCTIONS

## University bench 183 (DN3560)



- (A)**  1 Pcs
- (B)**  2 Pcs
- (C)**  1 Pcs
- (D)**  1 Pcs
- (E)**  12 Pcs