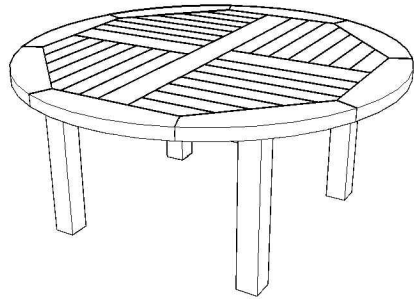
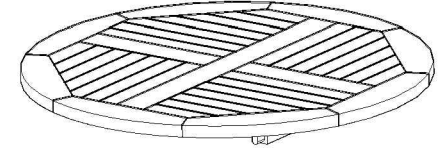


# ASSEMBLY INSTRUCTIONS

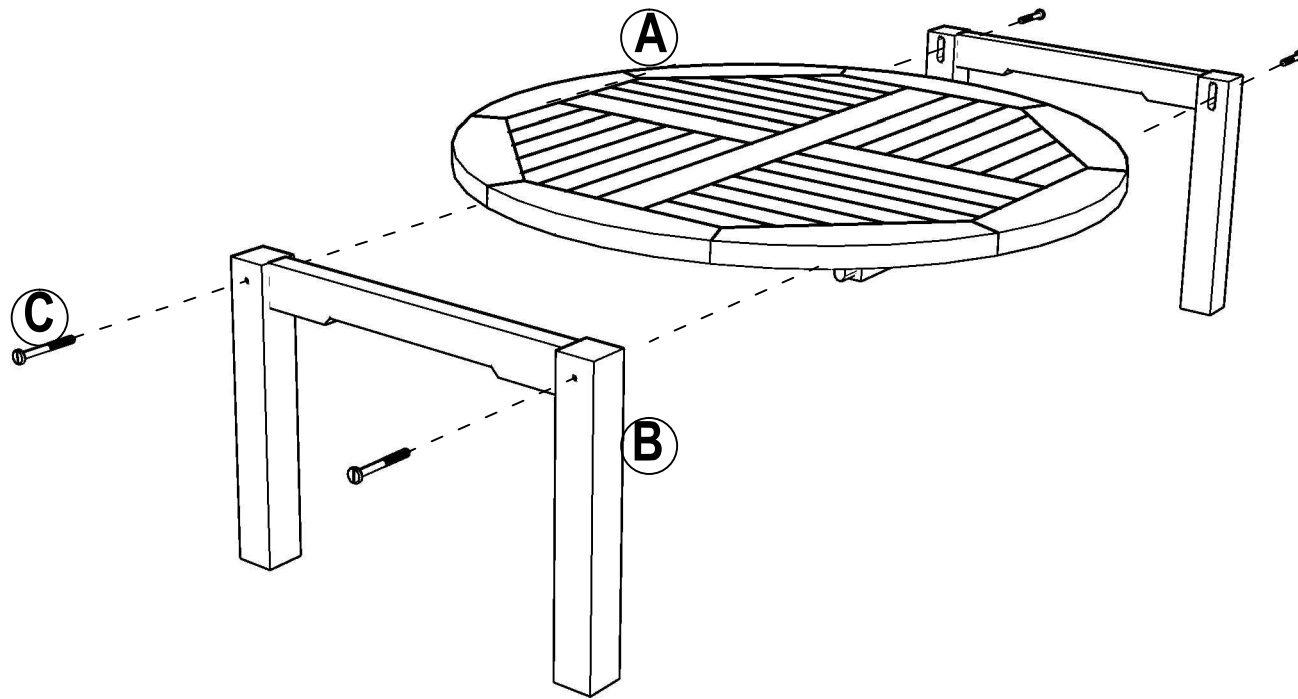
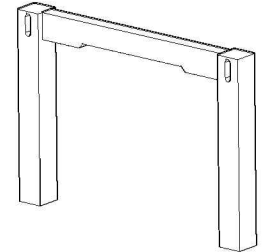
## Classic 40" round coffee table



**A** Top  
(1 Pcs)

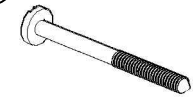


**B** Leg  
(2 Pcs L&R)



### Hardware

**C** M9x5 Brass



(4 Pcs)